

R22 BETA II



The two-seat R22 helicopter is a proven workhorse that has delivered exceptional performance in a variety of applications for over thirty years. The R22 has a two-bladed rotor system, T-bar cyclic and the latest in Robinson technology including crashworthy bladder fuel tanks.

A powder-coated steel tube structure provides a light yet rigid airframe while the aircraft's aerodynamic fuselage optimizes airspeed and fuel economy. The R22 is powered by Lycoming's proven O-360 engine that is derated to provide reserve power and better performance at high altitudes and in hot weather.

OPTIONS

- Leather Seats in Tan, Charcoal or Gray
- Aspen Primary Flight Displays
- Garmin GTN 600 Series Touchscreen Navigators
- Garmin ADS-B Compliant Transponders
- Garmin GMA 350Hc Audio Panel
- Bose A20 Headsets with Bluetooth



Shown with left side controls removed, optional Aspen EFD 1000H PFD and Garmin GTN 625 in pilot-side-console



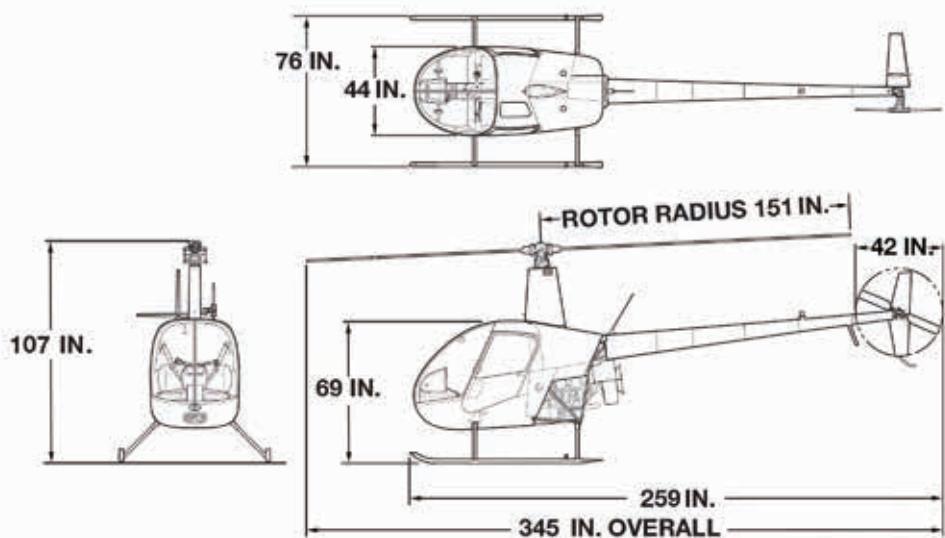
Shown with optional artificial horizon and digital clock

R22 BETA II

SPECIFICATIONS

| | |
|---------------------------------------------------------|--------------------------------------------------|
| Engine | Lycoming O-360, four cylinder, carbureted |
| Horsepower | Derated to 131 hp for takeoff and 124 continuous |
| Maximum Gross Weight | 1370 lb (622 kg) |
| Approximate Empty Weight (including oil & std avionics) | 880 lb (399 kg) |
| Standard Fuel (16.9 gal) | 101 lb (46 kg) |
| Auxiliary Fuel (9.4 gal) | 56 lb (25 kg) |
| Pilot, Passenger, and Baggage (with standard fuel) | 389 lb (176 kg) |
| Max Airspeed (Vne) | 102 kts (189 km/h) |
| Cruise Speed | up to 96 kts (178 km/h) |
| Maximum Range (no reserve) | approx 250 nm (460 km) |
| Hover Ceiling IGE at 1370 lb | 9400 ft |
| Hover Ceiling OGE at 1300 lb | 8000 ft |
| Maximum Operating Altitude | 14,000 ft |
| Electrical System | 14 volt |

DIMENSIONS



STANDARD AVIONICS

- 6-hole instrument panel
- GTR 225B COM radio
- GTX 327 Mode C transponder

STANDARD INSTRUMENTS

- Airspeed indicator
- Altimeter
- Rotor/engine dual tachometer
- Manifold pressure gage
- Vertical speed indicator
- Magnetic compass
- Cylinder head temperature gage
- Oil temperature and pressure gages
- Fuel gages
- Ammeter
- Carburetor temperature gage
- Digital OAT gage/voltmeter
- Hourmeter
- Quartz clock

STANDARD EQUIPMENT

- RPM throttle governor
- Throttle correlator
- Carburetor heat assist
- Main and auxiliary crashworthy fuel bladder tanks
- Engine oil filter and quick drain
- Rotor brake
- Intercom switches
- Avionics master switch
- Tinted windows
- Fabric velour seats
- 3-point shoulder harnesses
- Door locks
- Engine muffler
- Sound damping headliner
- Underseat storage
- Belly hardpoint
- LED anti-collision and navigation lights
- Dual landing lights
- LED panel and map lights
- Tow cart adapter
- Ground handling wheels
- Rotor blade tie downs
- Windshield cover
- Travel bag

ROBINSON HELICOPTER COMPANY

2901 Airport Drive • Torrance, CA • 90505 • USA
Phone: 310-539-0508 • Fax: 310-539-5198
www.robinsonheli.com